

DETAIL B
SCALE = NONE

DETAIL A
SCALE = NONE

COMPONENT SIDE

7. AFTER CUTTING TABS, RINSE R1, C16, C15 AND R27 WITH DE-IONIZED WATER FROM A SQUIRT BOTTLE. RINSE THE PARTS ON ALL SIDES, INCLUDING THE SPACE BETWEEN THE PARTS AND THE BOARD. AVOID TOUCHING THIS AREA AFTER WASHING. IF REWORK IS REQUIRED, REPEAT RINSE OPERATION.
6. AFTER INSTALLING AND SOLDERING COMPONENTS ON THE ENTIRE BOARD, TRIM ALL COMPONENT LEADS ON THE SOLDER SIDE TO 0.100 MAX, THEN CUT TABS (2 PLACES) WITH HIGH SPEED ABRASIVE TOOL TO FREE ISLAND. MAKE CUTS AT LEAST .040 WIDE. SEE DETAIL A.
5. SOLDER THE 22 GAGE SOLID WIRE (ITEM 74) TO PWA PADS MARKED J1 AND J2 (CUT AND FORM AS REQUIRED) AS SHOWN ON DETAIL B.
4. FOR A/W SEE 03-925043-00.
3. FOR SCHEM SEE 03-925044-00.
2. MARK CURRENT LEVEL REV IN AREA PROVIDED WITH PERMANENT TYPE NON-CONDUCTIVE BLACK INK.
1. _____

9. INSTALL DETECTOR SHIELD COVER (ITEM 24), TO PWA USING 2 EACH, LONG SCREWS & LOCKWASHERS (ITEMS 71 AND 72).
8. BEFORE INSTALLING DETECTOR SHIELD BASE (ITEM 25), ADD LABEL (ITEM 73) TO BASE. PLACE BNC CONNECTOR J1 (ITEM 26) AND TNC CONNECTOR J2 (ITEM 27) THRU D HOLES AS SHOWN AND SECURE WITH SUPPLIED HARDWARE. ONCE THIS IS ACHIEVED, INSTALL SHIELDS TO PWA USING 3 SHORT SCREWS (ITEM 70). THEN SOLDER 2 SEPARATE WIRES (ITEM 74) TO THE CENTER PIN OF J1 AND J2 (ITEMS 26 & 27), AND CLEAN WITH COTTON SWAB AS SHOWN ON DETAIL B.

NOTES: (UNLESS OTHERWISE SPECIFIED).

SHT 1 OF 3
SHT 2 & 3 ARE "A" SIZE

03-925041-01	REFURBISHED
03-925041-01	NEW
03-925041-00	DRAWING ONLY

DO NOT SCALE DRAWING									
DESCRIPTION OF CHANGE	'C' RELEASE	VARIOUS CHANGES SEE ECO	VARIOUS CHANGES SEE ECO	VARIOUS CHANGES SEE ECO	VARIOUS CHANGES SEE ECO	'B' RELEASE	MINOR CHANGES SEE ECO	DATE	APPROVED
APVD									
ECO		M46	M74	M85	M106		20461		
DFT	SAM	SAM	SAM	SAM	ST	ST	ST		
CHK	RC	ST	ST	ST	ST	ST	ST		
DATE	6-22-95	11-17-95	3-18-96	3-20-96	3-20-96	5-1-96	9-17-97		
REV	C1	C2	C3	C4	C5	1	2		

PART NUMBER		DESCRIPTION	
DRAWN	DATE	APPROVED	DATE
SAL TEDESCO	3-3-95	F. FALLI	6-30-95
CHECKED	DATE	APPROVED	DATE
S.T.	6-30-95	F. FALLI	5-2-96
ASSY, PWA, ECD			
NOT OTHERWISE SPEC: ANG±			
varian			
FIN.	DEC .X ±	.EX ±	.XXX ±
FULL	38	1 OF 3	D 03-925041-00 2
SCALE	DIV	SHEET	SIZE
			DRAWING NO
			REV

03-925041-00

A

PWA: ECD
ASSEMBLY: 03-925041-01
DATE: 9-17-1997
REV: 2

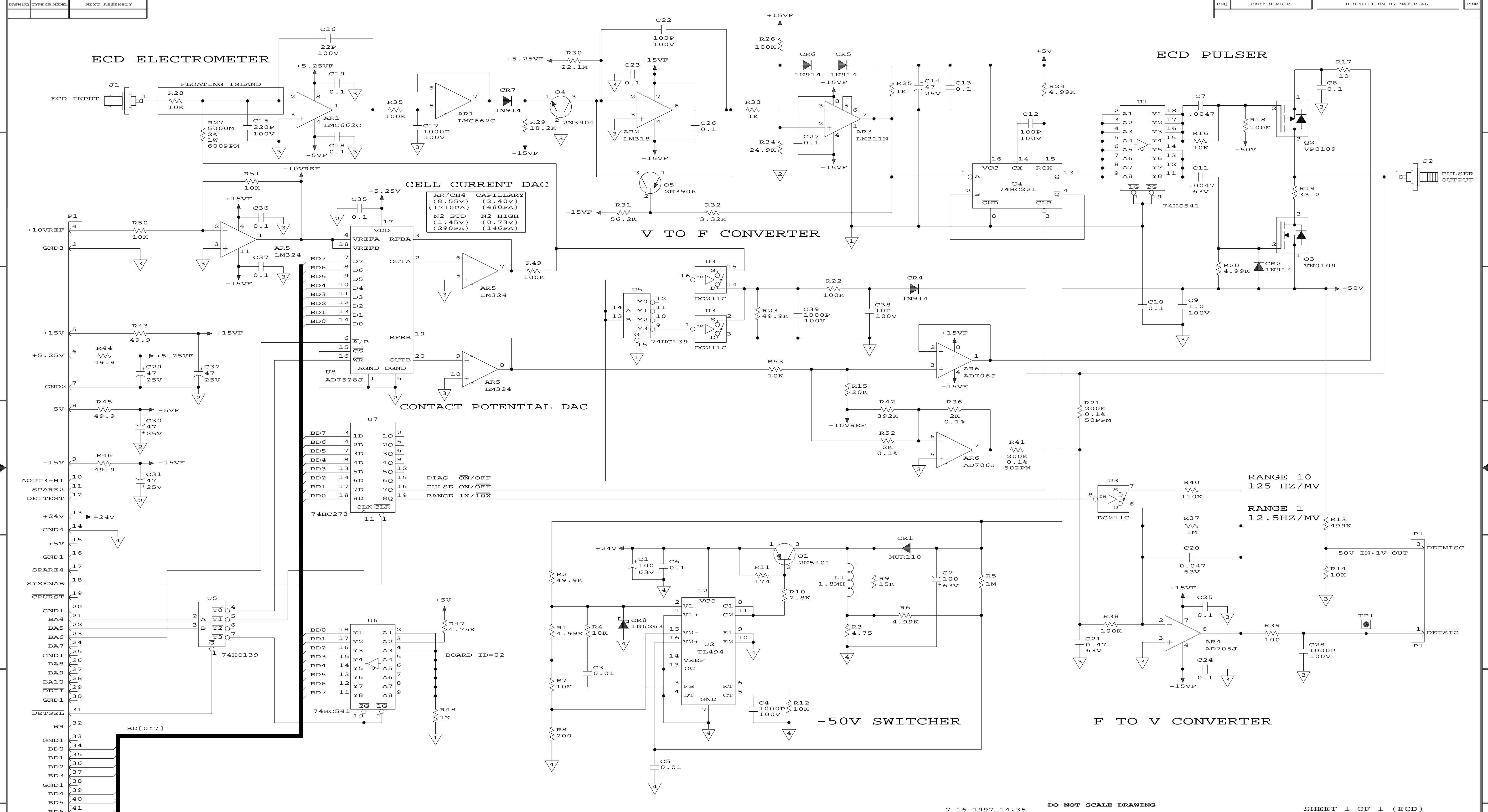
Sheet: 2 of 3

<u>Item</u>	<u>Ref Designator</u>	<u>Qty</u>	<u>Part Number</u>	<u>Part Description</u>
1		1	03-925042-01	FAB,PWA,ECD
2	AR1	1	62-602988-00	AMP,LMC662CN,DUAL_OP-AMP
3	AR2	1	62-601009-00	AMP,LM318N,OP-AMP,HI-SPEED
4	AR3	1	62-600183-00	AMP,LM311N,COMPARATOR
5	AR4	1	62-603355-00	AMP,AD705JN,OP-AMP
6	AR5	1	62-600058-00	AMP,LM324N,QUAD_OP-AMP
7	AR6	1	62-602966-00	AMP,AD706JN,DUAL_OP-AMP
8	C1-2	2	41-516779-00	CAP,100UF,63V,20%,AL.ELECT
9	C3, C5	2	41-290017-00	CAP,0.01UF,50V,10%,CER,X7R
10	C4, C17, C28, C39	4	41-290043-00	CAP,1000PF,100V,5%,CER,COG
11	C6, C8, C10, C13, C18-19, C23-27, C33-37	16	41-290010-00	CAP,0.1UF,50V,20%,CER,Z5U
12	C7, C11	2	41-764920-00	CAP,0.0047UF,63V,10%,MYLAR
13	C9	1	41-228013-00	CAP,1.0U,100V,20%,CER,Z5U
14	C12, C22	2	41-290047-00	CAP,100PF,100V,5%,CER,COG
15	C14, C29-32	5	41-503914-00	CAP,47UF,25V,20%,AL.ELECT
16	C15	1	41-290028-00	CAP,220PF,100V,10%,CER,COG
17	C16	1	41-290021-00	CAP,22PF,100V,5%,CER,COG
18	C20	1	41-764924-00	CAP,0.047UF,63V,10%,MYLAR
19	C21	1	41-764922-00	CAP,0.47UF,63V,10%,MYLAR
20	C38	1	41-290027-00	CAP,10PF,100V,10%,CER,COG
21	CR1	1	66-393207-00	DIODE,MUR110,100V,1A,FAST_REC.
22	CR2, CR4-7	5	66-304148-00	DIODE,1N914_OR_1N4148
23	CR8	1	66-306263-00	DIODE,1N6263,SCHOTTKY
24	DC1	1	03-925202-01	SHIELD,COVER,DET,PWA
25	DC2	1	03-925201-01	SHIELD,BASE,DET,PWA
26	J1	1	58-029991-00	CONN,BNC,BULKHEAD
27	J2	1	58-028912-00	CONN,TNC,BULKHEAD
28	L1	1	43-300015-00	INDUCTOR,1.8MH,50MA,RF_CHOKE
29				
30	Q1	1	62-905401-00	TRANSISTOR,2N5401,PNP
31	Q2	1	62-798134-00	XSTR,DMOSFET,P-CHAN,VP0109N3,90V
32	Q3	1	62-798135-00	XSTR,DMOSFET,N-CHAN,VN0109N3,90V
33	Q4	1	62-903904-00	TRANSISTOR,2N3904,NPN
34	Q5	1	62-903906-00	TRANSISTOR,2N3906,PNP
35	R1, R6, R20, R24	4	31-102280-00	RES,MF,4.99K,1/4W,1%,100PPM
36	R2, R23	2	31-102376-00	RES,MF,49.9K,1/4W,1%,100PPM
37	R3	1	31-102001-00	RES,MF,4.75,1/4W,1%,100PPM
38	R4, R7, R12, R14, R16, R28, R50-51, R53	9	31-102309-00	RES,MF,10.0K,1/4W,1%,100PPM
39	R5, R37	2	31-102501-00	RES,MF,1.00M,1/4W,1%,100PPM

PWA: **ECD**
ASSEMBLY: **03-925041-01**
DATE: **9-17-1997**
REV: **2**

Sheet: 3 of 3

<u>Item</u>	<u>Ref Designator</u>	<u>Qty</u>	<u>Part Number</u>	<u>Part Description</u>
40	R8	1	31-102146-00	RES,MF,200,1/4W,1%,100PPM
41	R9	1	31-102326-00	RES,MF,15.0K,1/4W,1%,100PPM
42	R10	1	31-102256-00	RES,MF,2.8K,1/4W,1%,100PPM
43	R11	1	31-102140-00	RES,MF,174,1/4W,1%,100PPM
44	R13	1	31-102472-00	RES,MF,499K,1/4W,1%,100PPM
45	R15	1	31-102338-00	RES,MF,20K,1/4W,1%,100PPM
46	R17	1	31-102021-00	RES,MF,10,1/4W,1%,100PPM
47	R18, R22, R26, R35, R38, R49	6	31-102405-00	RES,MF,100K,1/4W,1%,100PPM
48	R19	1	31-102071-00	RES,MF,33.2,1/4W,1%,100PPM
49	R21, R41	2	31-614757-00	RES,MF,200K,1/4W,0.1%,50PPM
50	R25, R33, R48	3	31-102213-00	RES,MF,1K,1/4W,1%,100PPM
51	R27	1	31-699866-00	RES,MF,5000M,1W,2%,600PPM
52	R29	1	31-102334-00	RES,MF,18.2K,1/4W,1%,100PPM
53	R30	1	31-102538-00	RES,MF,22.1M,1/4W,1%,100PPM
54	R31	1	31-102381-00	RES,MF,56.2K,1/4W,1%,100PPM
55	R32	1	31-102263-00	RES,MF,3.32K,1/4W,1%,100PPM
56	R34	1	31-102347-00	RES,MF,24.9K,1/4W,1%,100PPM
57	R36, R52	2	31-613282-00	RES,MF,2K,1/4W,0.1%,50PPM
58	R39	1	31-102117-00	RES,MF,100,1/4W,1%,100PPM
59	R40	1	31-102409-00	RES,MF,110K,1/4W,1%,100PPM
60	R42	1	31-102462-00	RES,MF,392K,1/4W,1%,100PPM
61	R43-46	4	31-102088-00	RES,MF,49.9,1/4W,1%,100PPM
62	R47	1	31-102278-00	RES,MF,4.75K,1/4W,1%,100PPM
63	U1, U6	2	62-601815-00	IC,74HC541N
64	U2	1	62-601414-00	IC,TL494CN,SWITCHER
65	U3	1	62-601723-00	IC,DG211CJ,QUAD_ANALOG_SW
66	U4	1	62-602006-00	IC,74HC221N
67	U5	1	62-601894-00	IC,74HC139N
68	U7	1	62-602007-00	IC,74HC273N
69	U8	1	62-601756-00	IC,AD7528JN,DUAL_8_BIT_DAC
70		3	12-901162-00	SCREW,PHIL,SEMS,6-32X1/4
71		2	12-222006-20	SCREW,PHIL,PH,6-32X1
72		2	14-312006-00	WASHER,EXT_LOCK,#6
73		1	03-925421-02	LABEL,DET,IDENTIFICATION
74		A/R	81-099922-00	WIRE,SOLID,CU,22GA

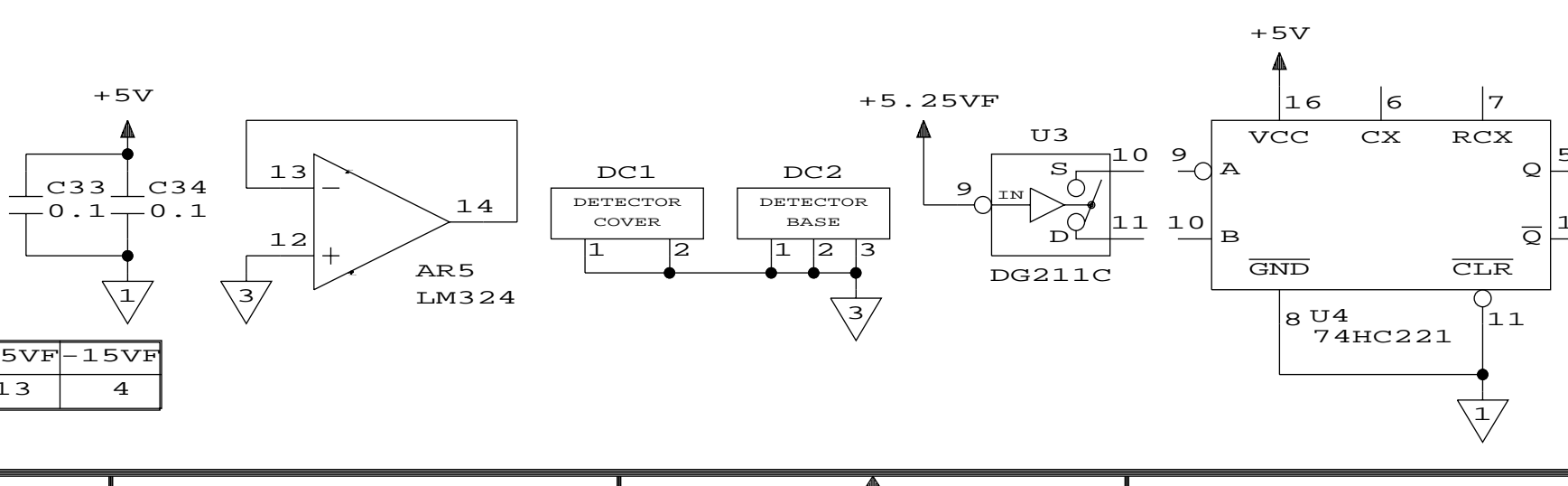


5. FOR A/W SEE 03-925043-00
 4. FOR FAB DRAWING SEE 03-925042-00, PART 03-925042-01
 3. FOR ASSY DRAWING SEE 03-925041-00, PART 03-925041-01
 2. ALL CAPACITORS ARE IN UF, 50V
 1. ALL RESISTORS ARE IN OHMS, MF, 1/4W, 1%, 100PPM
 NOTES: (UNLESS OTHERWISE SPECIFIED))

SUPPLY CONNECTIONS

U5	74HC139	GND1	+5V
U7	74HC273	8	16
U1	74HC541	10	20
U6	74HC541	10	20

U3	DG211CJ	GND2	+5.25VF	+15VF	-15VF
		5	12	13	4



7-16-1997_14:35 DO NOT SCALE DRAWING

DESCRIPTION OF CHANGES	CHANGED AR4 & AR6	RELEASE	CONNECTED U4-2 TO U4-4
NUM			
EO	M106		20461
DFT	R. COMMINS	R. COMMINS	R. COMMINS
CHK	ST	ST	ST
ENR	01APR96	01MAY96	16JLY97
REV	C5	1	2

SHEET 1 OF 1 (ECD)

DRAWN	R. COMMINS	DATE	29JUN95	APPROVED	R. COMMINS	DATE	30JUN95	CODE	
CHECKED	ST	DATE	30JUN95	APPROVED	R. COMMINS	DATE	01MAY96	CLASS	

SCHEM, PWA, ECD

NOT OTHERWISE SPECI	FRAC+/-	ANG+/-	SCALE
FIN	DEC .X+/-	.XX+/-	.XXX+/-
varian	WCID	D 03-925044-00	2
	DIVISION	SIZE	DRAWING NO.